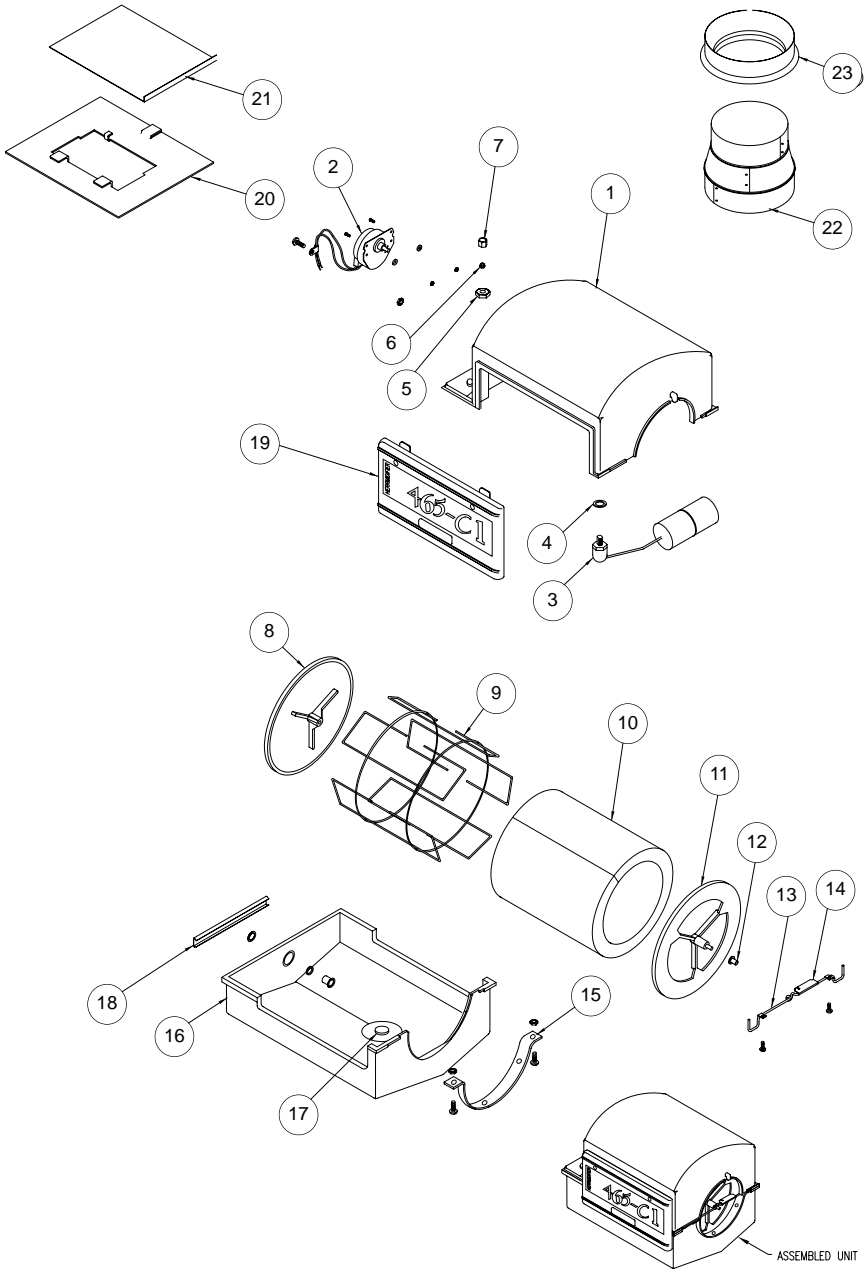


# HERRMIDIFIER MODEL 465-1 HUMIDIFIER PARTS LIST



## Parts List

<b>Model 465 C-1</b>			
	<b>Assembly Part Number</b>	<b>352440-001C</b>	
<b>Item</b>	<b>Description</b>	<b>P/N</b>	<b>Remarks</b>
1	Top	<a href="#"><u>1201BP</u></a>	
2	Motor	<a href="#"><u>1322P</u></a>	24V 50/60HZ
3	Float & valve assembly	<a href="#"><u>1210P</u></a>	
4	Washer	<a href="#"><u>FV-17</u></a>	Fiber
5	Brass Locknut	<a href="#"><u>FV-10</u></a>	7/16-24
6	Brass Compression Sleeve	<a href="#"><u>FV-11</u></a>	
7	Brass Compression Nut	<a href="#"><u>FV-12</u></a>	
8	Closed End	<a href="#"><u>1221</u></a>	
9	Cage	<a href="#"><u>1219</u></a>	
10	Evaporator Pad	<a href="#"><u>1220P</u></a>	
11	Open End	<a href="#"><u>1222</u></a>	
12	Drum Bearing	<a href="#"><u>1223</u></a>	
13	Bracket	<a href="#"><u>1213</u></a>	
14	Drum Bearing Clip	<a href="#"><u>1316</u></a>	
15	Outlet Clamp	<a href="#"><u>251040-001</u></a>	
16	Pan	<a href="#"><u>1224P</u></a>	
17	Drain Plug	<a href="#"><u>2408B</u></a>	
18	Retainer	<a href="#"><u>1225</u></a>	
19	Front Panel Assembly	<a href="#"><u>1226A</u></a>	
20	Mounting Plate	<a href="#"><u>351038-001</u></a>	
21	Damper Plate	<a href="#"><u>1297</u></a>	
22	Increaser	<a href="#"><u>1294</u></a>	
23	Return Air Flange	<a href="#"><u>1296</u></a>	
24	Humidistat	<a href="#"><u>352680-004C</u></a>	Not shown