

# Herrtronic® RDU-D Parts List

<a href="#">1847C</a>	<a href="#">Quick Connects</a>	EST-1404	Rheostat
120096-006	Hole Plug	<a href="#">EST-1405</a>	<a href="#">Relay Timer</a>
165475-001	Dierential Pressure Switch Kit	<a href="#">EST-1407</a>	<a href="#">Blower Speed Control Knob</a>
165538-001	Fuse, 8/10 A	<a href="#">EST-1408</a>	<a href="#">Capacitor</a>
265544-001	Fuseholder	<a href="#">EST-1409</a>	<a href="#">Bushing</a>
265561-001	Transformer (RDU-D-1T & 2T) for 480/600	<a href="#">EST-1415</a>	<a href="#">1/4" Tubing</a>
265561-002	Transformer (RDU-D-1T & 2T) for 380	<a href="#">EST-1416</a>	<a href="#">Fuseholder</a>
DH-052	Foam Tape	EST-1417	Fuse, 1 A
<a href="#">EST-230</a>	<a href="#">Steam Hose</a>	<a href="#">EST-1447-1</a>	Manifold Assembly (Specify Unit Model Number)
<a href="#">EST-353</a>	<a href="#">Bushing</a>	<a href="#">EST-1447-2</a>	
<a href="#">EST-531</a>	<a href="#">5-Pole Terminal Rail</a>	<a href="#">EST-1458</a>	<a href="#">Steam Inlet Union</a>
268233-001	Distribution Grille	<a href="#">EST-1538</a>	<a href="#">Rubber Grommet</a>
<a href="#">EST-1402</a>	<a href="#">Blower</a>	EST-1563	Stainless Steel Hose Clamp
EST-1403	Blower Inlet Ring	<a href="#">GT-20-20</a>	<a href="#">Elbow</a>

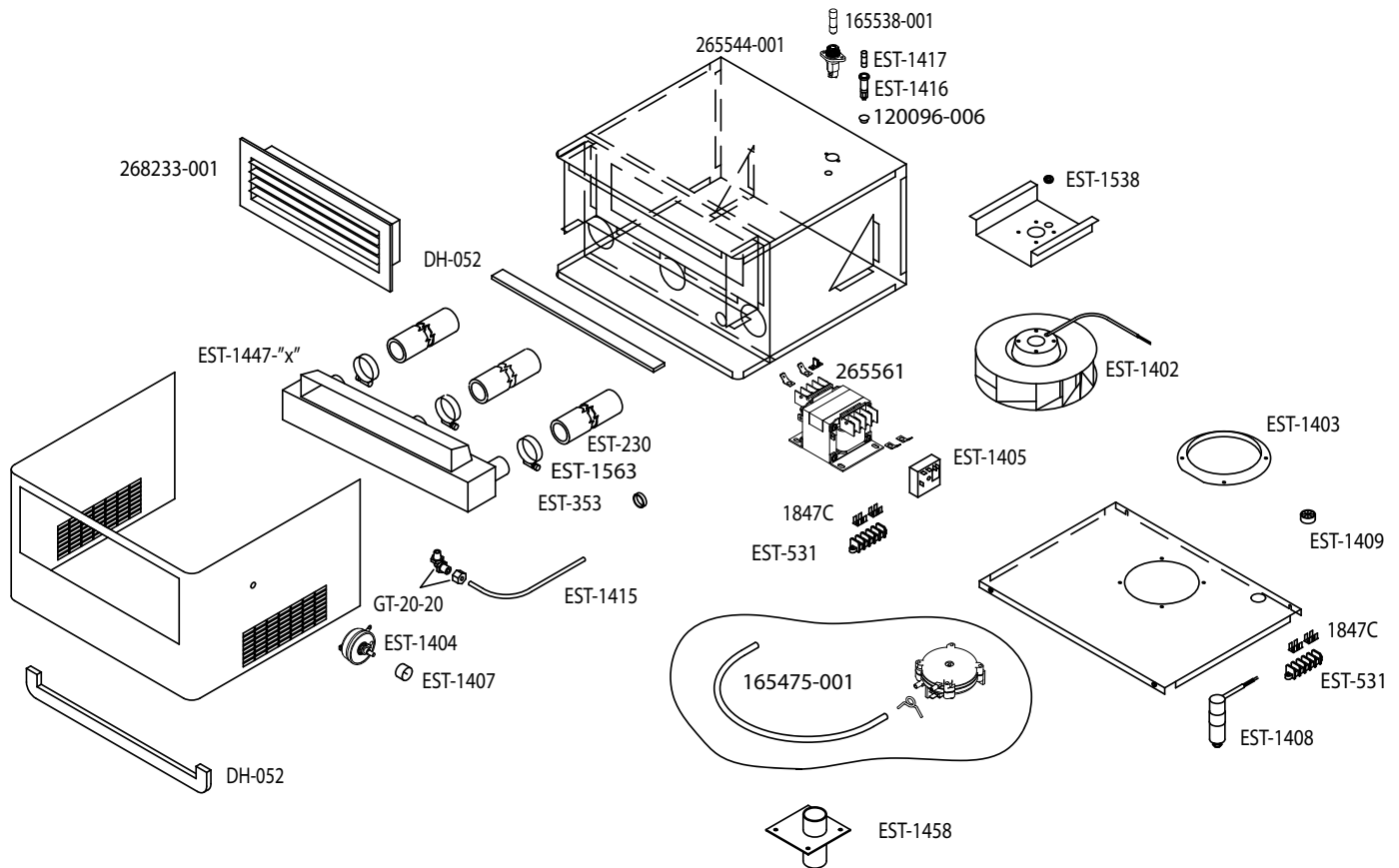


Figure 14 - Exploded View